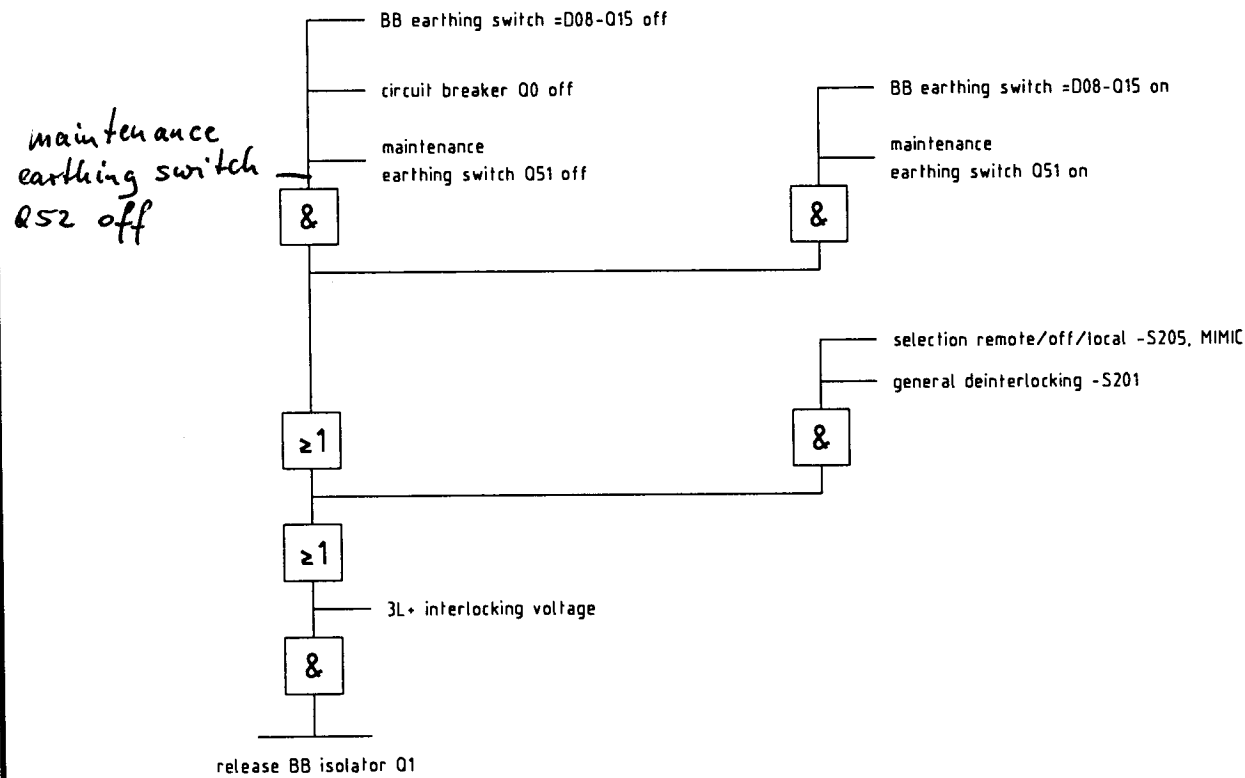
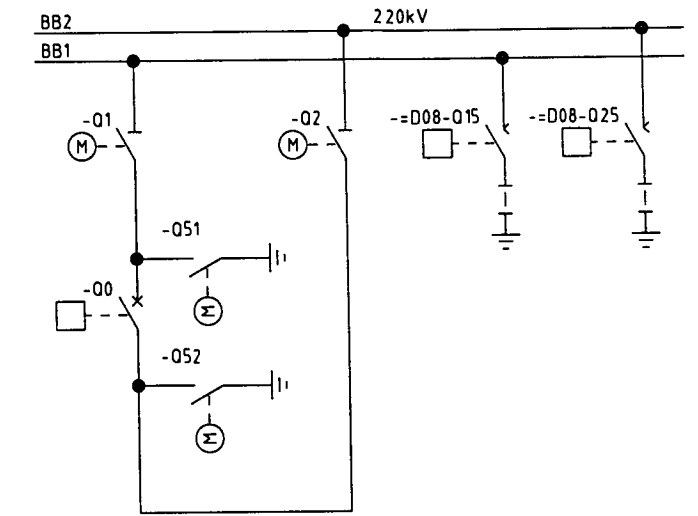
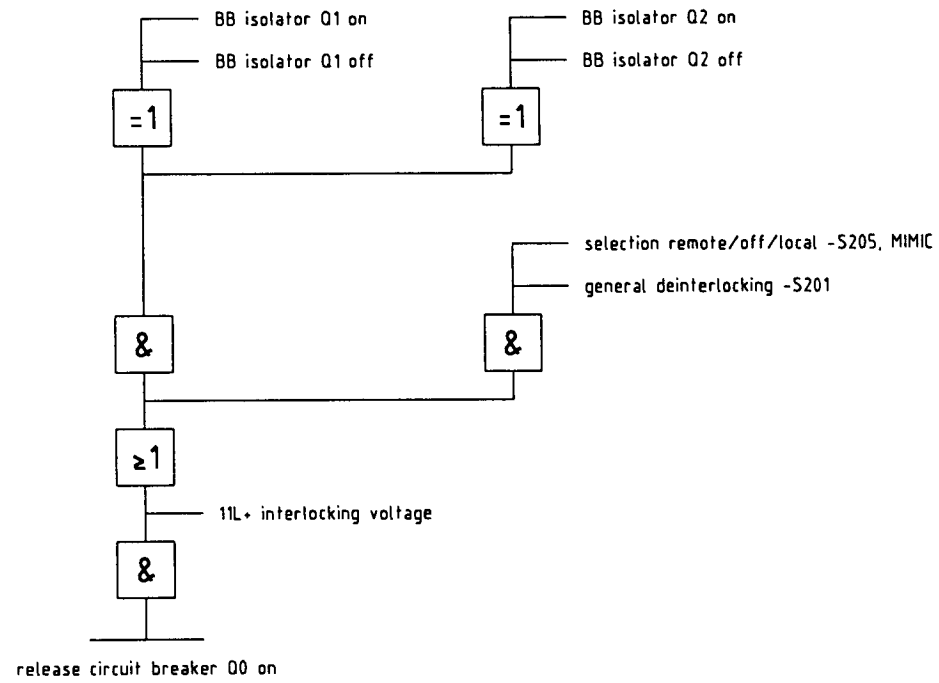


ELCAD- Version 7.3.1 SP2  
Last used: 27.05.08  
Archive: = / 5 / B / 1

Translate file A: a-kerawaletr  
Translate file B: b-kerawaletr  
Translate file C: C.FB.E.tr  
Translate file D: d-leer.tr

Project: P:/Anl/SRL/KERAWALAPITIYA/731/60617/007.pro  
Symbol library 1: KERAWAL  
Symbol library 2: P1060617  
Symbol library 3: H2\_60617  
Symbol library 4:

Copyright (C) Siemens AG 2007 All Rights Reserved  
V1.1.0 15.09.2004 S 81-3 8DN8 288 L



*maintenance earthing switch Q52 off*

=1 EXCLUSIVE OR  
& AND  
≥1 OR

				Date	26.09.07	CEYLON ELECTRICITY BOARD		Siemens AG	220kV Busbar earthing / Bus coupler Interlocking conditions	P-006309	S	=D07	B1
A	MODIFICATION	10.04.08	WE	Drawn	Wenzel	KERAWALAPITIYA							
B	WORKSHOP	23.05.08	WE	Appr.	Wagner	8DN9 SWITCHGEAR 220kV							Sheet 1+
Rev.	Remarks	Date	Name	Norm	Orig./Repl.f./Repl.by				Function diagram			(3)E50115-A4.472-S107-B	3 Sh.

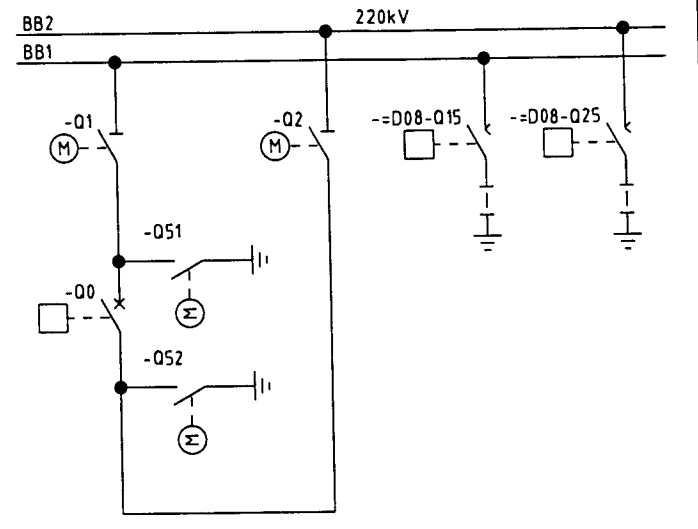
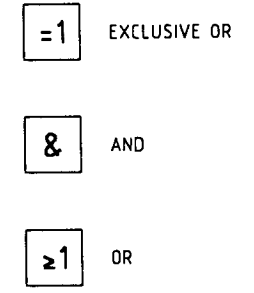
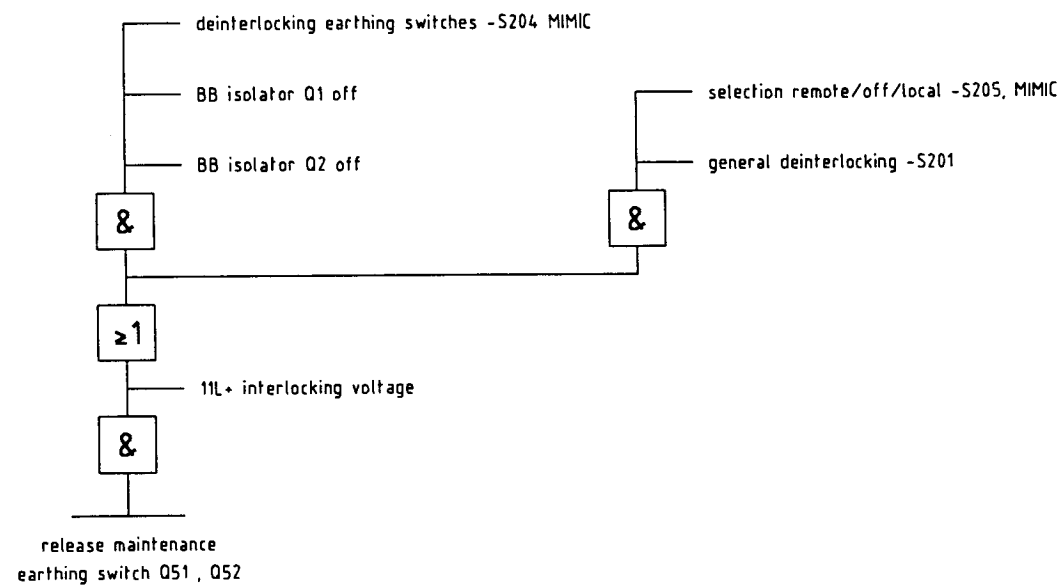
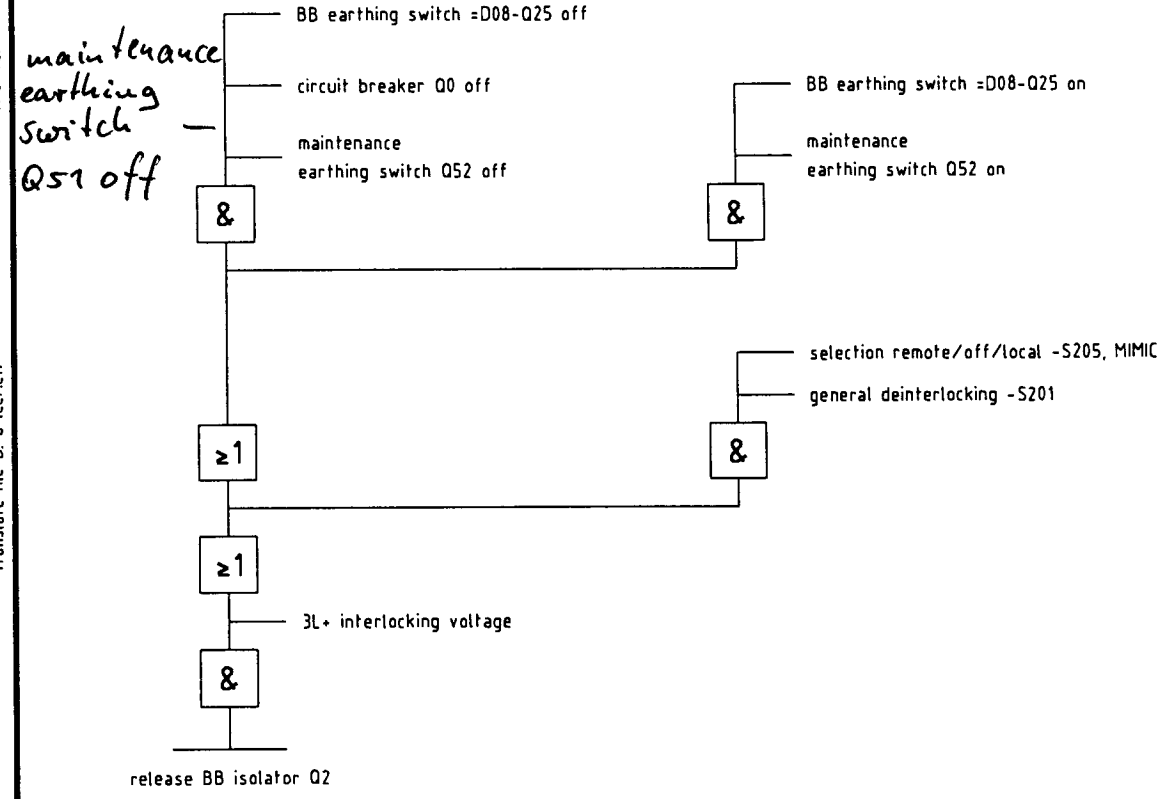
*R*

ELCAD-Version 7.3.1 SP2  
 Last used: 27.05.08  
 Archive: = / S / B / 2

Project: P:\Ani\SR\KAWALAPITIYA\731\60617\007.pro  
 Symbol library 1: KERAWAL  
 Symbol library 2: PID60617  
 Symbol library 3: HZ\_60617  
 Symbol library 4:

Translate file A: a-kerawaletr  
 Translate file B: b-kerawaletr  
 Translate file C: C.FB.E.tr  
 Translate file D: d-leer.tr

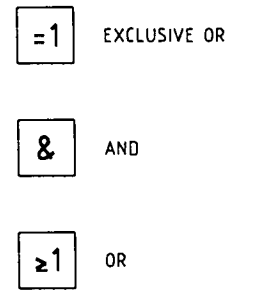
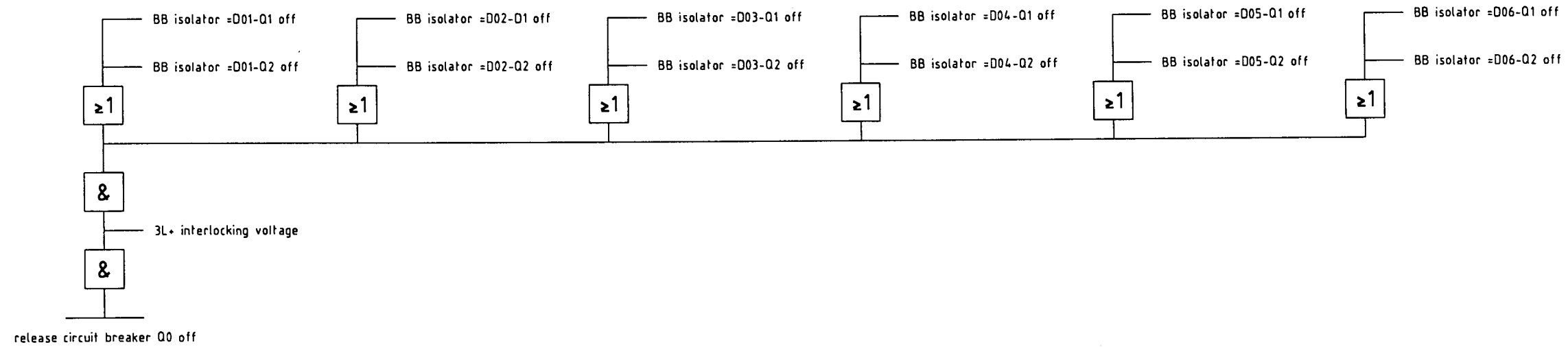
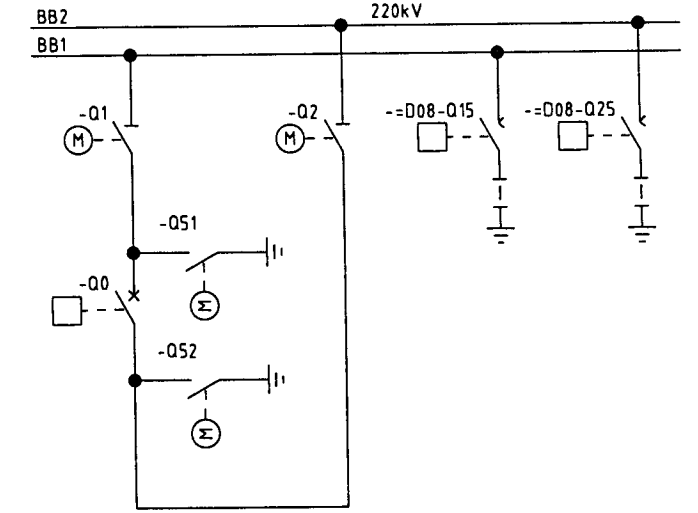
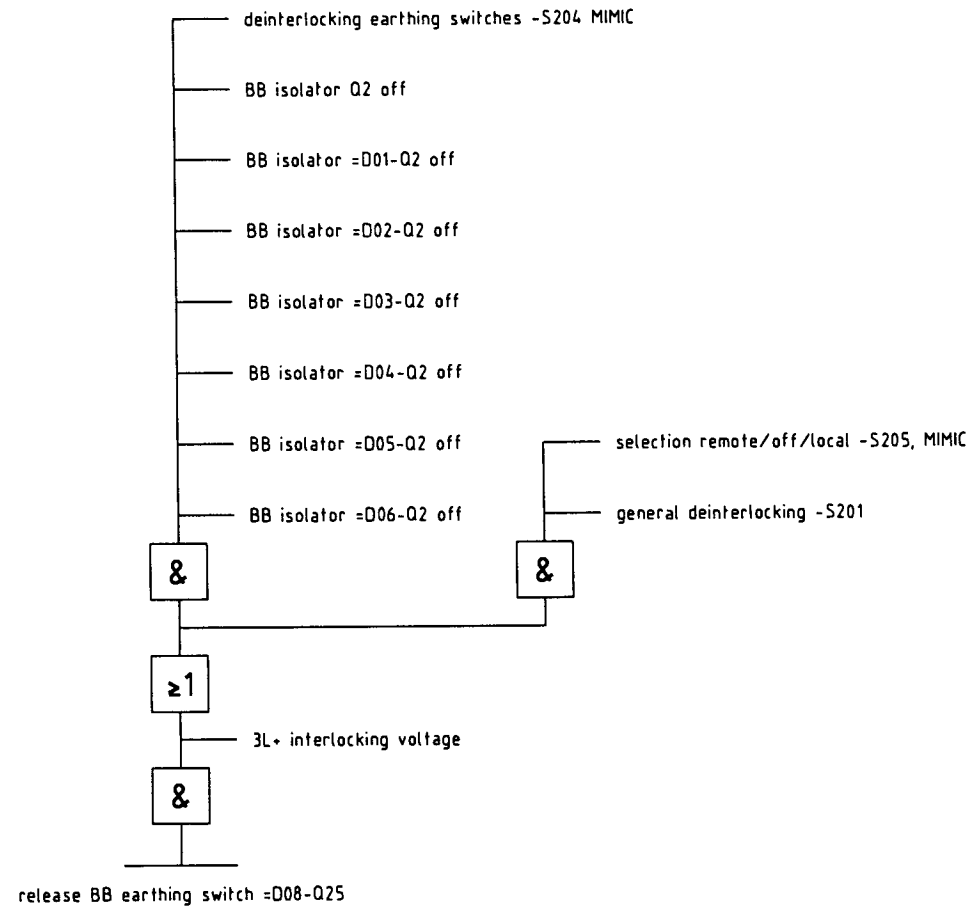
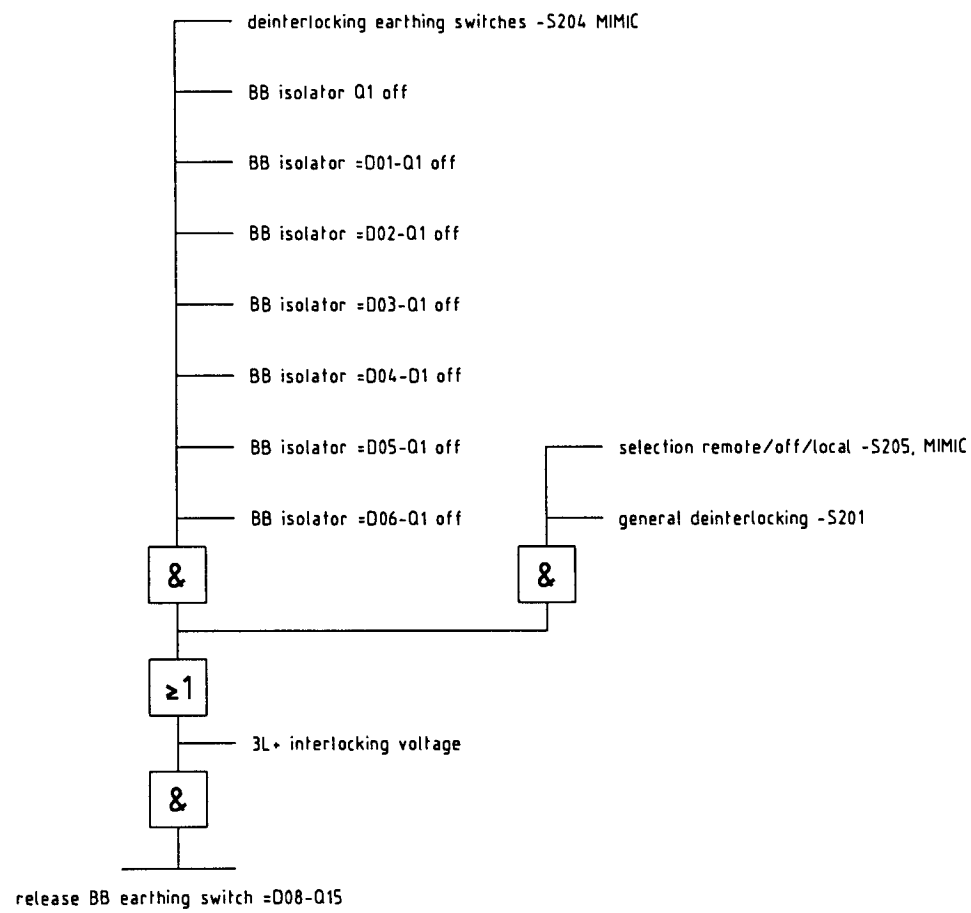
CopyRight (C) Siemens AG 2007 All Rights Reserved



Rev.	Remarks	Date	Name	Norm	Orig./Repl.f./Repl.by	CEYLON ELECTRICITY BOARD KERAWALAPITIYA 8DN9 SWITCHGEAR 220kV	Siemens AG	220kV Busbar earthing / Bus coupler Interlocking conditions	P-006309	S =D07	B2
A	MODIFICATION	10.04.08	WE	Drawn	Wenzel						
B	WORKSHOP	23.05.08	WE	Appr.	Wagner						
Function diagram											(3)E50115-A4472-S107-B
											Sheet 2+

ELCAD-Version 7.31 SP2  
 Last used: 27.05.08  
 Archive: = / S / B / 3  
 Translate file A: a-kerawal.e1r  
 Translate file B: b-kerawal.e1r  
 Translate file C: C\_BB\_L.e1r  
 Translate file D: d-leer.e1r  
 Project: P:/Am/SRL/KERAWALPITIYA/731/60617/007.pro  
 Symbol library 1: KERAWAL  
 Symbol library 2: PTD60617  
 Symbol library 3: H2\_60617  
 Symbol library 4:

Copyright (C) Siemens AG 2007 All Rights Reserved



A		MODIFICATION	10.04.08	WE	Drawn	Wenzel	CEYLON ELECTRICITY BOARD KERAWALPITIYA BDN9 SWITCHGEAR 220kV	Siemens AG	220kV Busbar earthing / Bus coupler Interlocking conditions	P-006309	S =D07	B3
B		WORKSHOP	23.05.08	WE	Appr.	Wagner						
Rev.	Remarks	Date	Name	Norm	Orig./Repl.f./Repl.by			Function diagram		(3)E50115-A4472-S107-B		