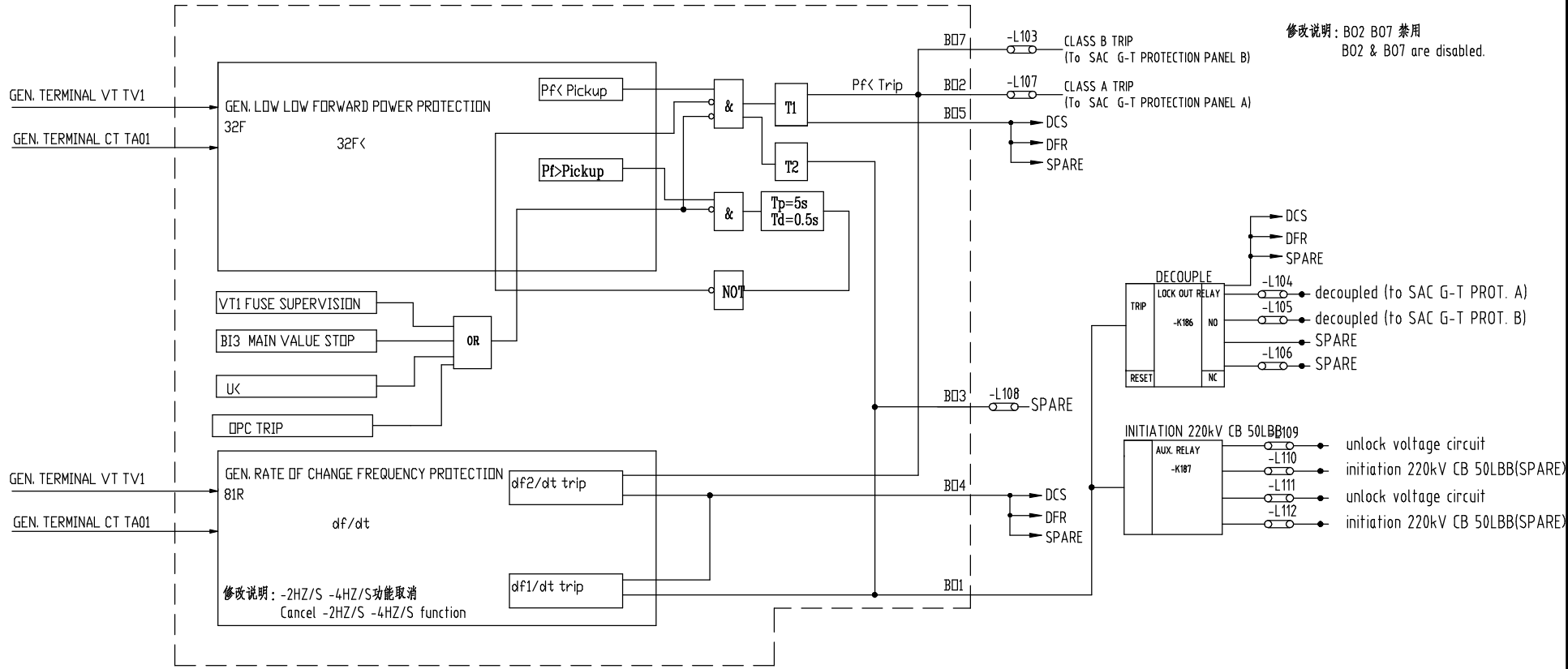


发电机频率滑差 (df/dt) 功率突降保护  
GEN. df/dt & LOW FORWARD POWER PROTECTION

F11-7SJ6225

逻辑图  
Logic Diagram

修改说明: B02 B07 禁用  
B02 & B07 are disabled.



CLASS 1 COMPREHENSIVE ENG. DESIGN CERTIFICATE No. A161000660

**As Built  
CMEC**

DOCUMENT STATUS AB

REV.	DATE	DRAWN	DESIGNED	CHECKED	REVIEWED	APPROVED	DESCRIPTION
B	2015.06	贾凯	贾凯	陈奇	陈奇	陈奇	
A	2014.05	贾凯	贾凯	陈奇	陈奇	陈奇	

EMPLOYER		CEYLON ELECTRICITY BOARD  POYRY ENERGY LTD
CONTRACTOR		CHINA NATIONAL MACHINERY & EQUIPMENT IMPORT & EXPORT CORPORATION
SUBCONTRACTOR		NORTHWEST ELECTRIC POWER DESIGN INSTITUTE
		PHASE II 2X300MW PUTTALAM COAL POWER PROJECT DETAILED DESIGN STAGE
	COPYRIGHT (C) USED FOR THE PROJECT ONLY. NWEPTDI RESERVE THE RIGHT OF RECOURSE AGAINST INFRINGEMENT.	PRINCIPLE DIAGRAMS OF GENERATOR df/dt & LOW FORWARD POWER PROTECTION PANEL 发电机滑差保护 (含功率突降保护) 原理图
UNITS	/	SCALE /
DAWG. NO.	F5225-D0511-02	SHEET 19 OF 19 REV. B